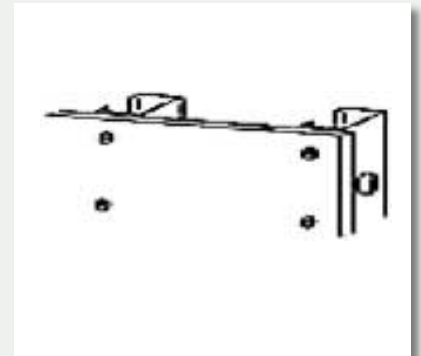
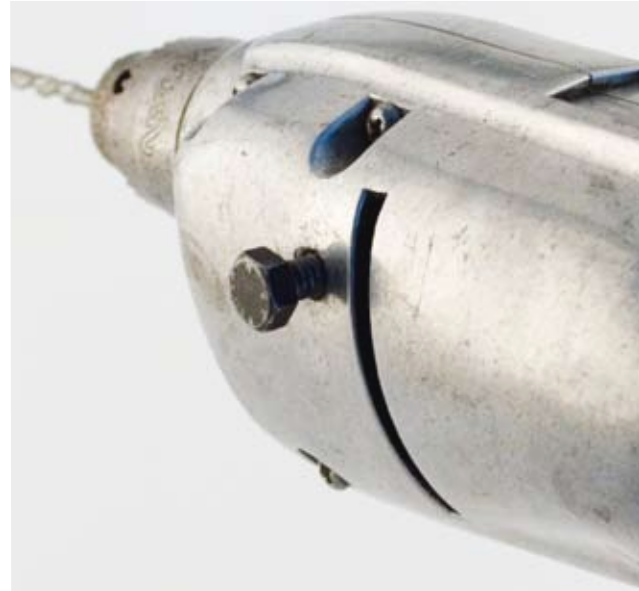


# PRE-DRILLED BOARD & FRESH CEMENT SHEET

## Countersunk Rib Head

Product Range			
Gauge	Dimensions	Pack Quantity	Part Number
8g	8-18x20mm	1000	6-311-0203-5
	8-18x30mm	1000	6-311-0202-7



### Metroll Newcastle

ABN 97 001 446 439  
 268 Macquarie Road  
 WARNERS BAY NSW 2282  
 AUSTRALIA  
 P: +61 (0)2 4954 5799  
 F: +61 (0)2 4954 0891  
[sales@metrollnewcastle.com.au](mailto:sales@metrollnewcastle.com.au)  
[www.metrollnewcastle.com.au](http://www.metrollnewcastle.com.au)