
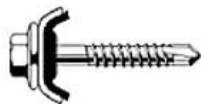



ROOFING PROFILES TO TIMBER BATTENS IN CYCLONE PRONE AREAS

Square Rib Profiles			
Product Range			
Gauge	Dimensions	Pack Quantity	Part Number
14g	14-10x65mm	250	6-030-0057-4CS
	14-10x65mm	250	6-030-3057-1Z4
	14-10x75mm	250	6-030-3056-2Z4

High Rib Profiles			
Product Range			
Gauge	Dimensions	Pack Quantity	Part Number
14g	14-10x75mm	250	6-030-3058-9Z4

With 16mm Aluminium Bonded Washer			
Product Range			
Gauge	Dimensions	Pack Quantity	Part Number
14g	14-10x50mm	1000	6-030-0071-4CS
	14-10x50mm	1000	6-030-3071-1Z4
	14-10x65mm	1000	6-030-0086-2CS
	14-10x65mm	1000	6-030-3086-6Z4



Metroll Newcastle

ABN 97 001 446 439
 268 Macquarie Road
 WARNERS BAY NSW 2282
 AUSTRALIA


P: +61 (0)2 4954 5799

F: +61 (0)2 4954 0891

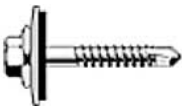
sales@metrollnewcastle.com.au

www.metrollnewcastle.com.au

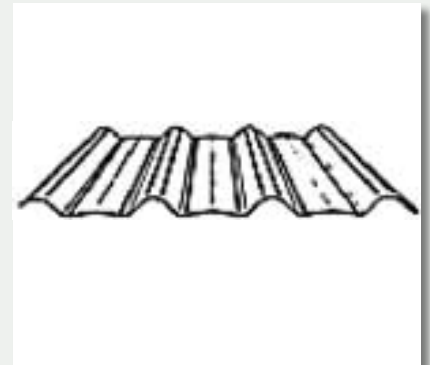
ROOFING PROFILES TO TIMBER BATTENS IN CYCLONE PRONE AREAS

With 19mm Aluminium Bonded Washer	
-----------------------------------	---

Product Range			
Gauge	Dimensions	Pack Quantity	Part Number
14g	14-10x50mm	250	6-030-0091-3CS
	14-10x50mm	250	6-030-3091-2Z4
	14-10x65mm	250	6-303-0092-1CS
	14-10x65mm	250	6-030-3092-8Z4

With 25mm Aluminium Bonded Washer	
-----------------------------------	---

Product Range			
Gauge	Dimensions	Pack Quantity	Part Number
14g	14-10x50mm	250	6-030-0093-2CS
	14-10x50mm	250	6-030-3093-6Z4
	14-10x65mm	250	6-030-0088-6CS
	14-10x65mm	250	6-030-3088-2Z4



Metroll Newcastle

ABN 97 001 446 439
 268 Macquarie Road
 WARNERS BAY NSW 2282
 AUSTRALIA

P: +61 (0)2 4954 5799

F: +61 (0)2 4954 0891

sales@metrollnewcastle.com.au

www.metrollnewcastle.com.au