

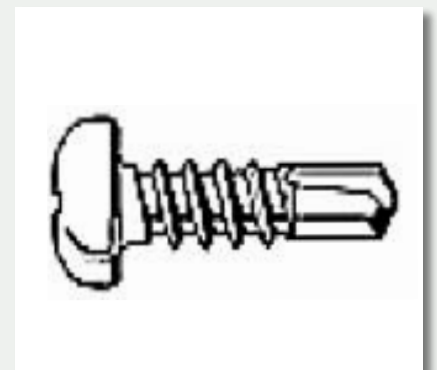
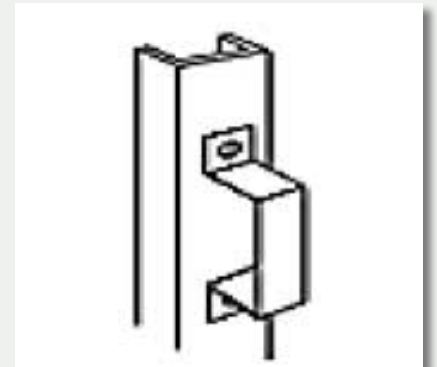
GENERAL FIXINGS

Applications

- Brackets
- Fixings

Pan Head

| Product Range | | | |
|---------------|------------|---------------|--------------|
| Gauge | Dimensions | Pack Quantity | Part Number |
| 6g | 6-20x20mm | 1000 | 6-311-0330-1 |
| 8g | 8-18x12mm | 1000 | 6-311-0007-3 |
| | 8-18x16mm | 1000 | 6-311-0010-1 |
| | 8-18x22mm | 1000 | 6-311-0015-1 |



Metroll Newcastle

ABN 97 001 446 439
 268 Macquarie Road
 WARNERS BAY NSW 2282
 AUSTRALIA

P: +61 (0)2 4954 5799

F: +61 (0)2 4954 0891

sales@metrollnewcastle.com.au

www.metrollnewcastle.com.au