

METAL ROOFING TO LIGHTWEIGHT METAL BATTENS

Super Tek[®] Series 500

Designed to drill through steel up to 12.5mm thick, cut their own mating threads and fasten securely in one simple operation. Has the same twist drill as a conventional Metal Tek[®], but with extra long cutting flutes to drill, tap, seal and fasten in one simple operation.

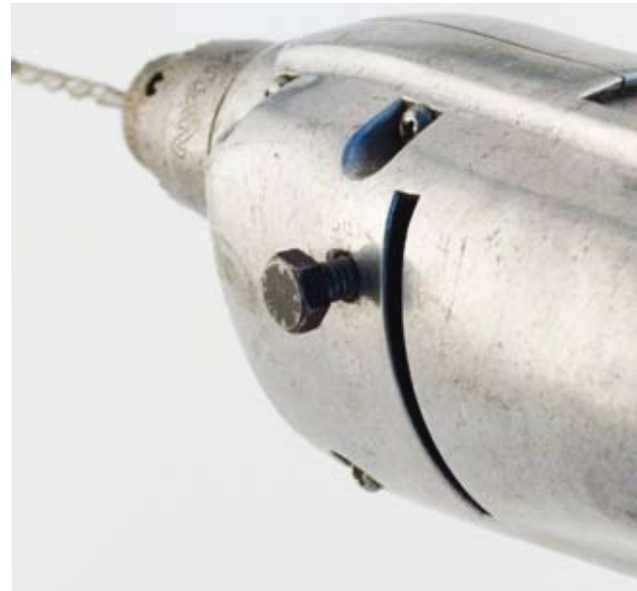
How To Use

Static Pullout Strength

Screw Type	In 0.55mm Metal Batten	In 0.75mm Metal Batten
13-13 MBT	1.9Kn	2.8Kn
15-15 MBT	*	3.2Kn
* Not recommended		

Ease of Installation

Application	Batten Type	13-13MBT	15-15MBT
Into single thickness metal battens at 14kg end load	0.55mm	2.12 seconds	
	0.75mm	3.12 seconds	
Into double thickness metal battens at 14kg end load	0.55mm x 2	3.0 seconds	
	0.75mm x 2	4.00 seconds	
Into 0.75mm metal battens at 18kg end load	Single		1.0 second
	Lapped		2.0 Seconds



Metroll Newcastle

ABN 97 001 446 439
268 Macquarie Road
WARNERS BAY NSW 2282
AUSTRALIA

P: +61 (0)2 4954 5799

F: +61 (0)2 4954 0891

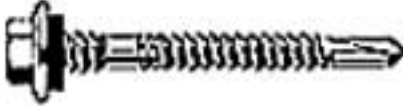
enquiries@metrollnewcastle.com.au


www.metrollnewcastle.com.au


METAL ROOFING TO LIGHTWEIGHT METAL BATTENS

Application

For fixing roofing profiles and cladding to lightweight metal battens

Recommended Screw:		Hex.Head HiGrip® with Seal	
			
Product Range			
Gauge	Dimensions	Pack Quantity	Part Number
13g	13-13x41mm	100	1-310-9522-5TPCS
	13-13x41mm	1000	6-310-0522-1CS
	13-13x41mm	1000	6-310-3522-1Z4
	13-13x55mm	1000	6-310-0523-2CS
	13-13x55mm	1000	6-310-3523-2Z4
	15g	15-15x41mm	1000
	15-15x41mm	1000	6-310-3499-1Z4
	15-15x55mm	1000	6-310-0500-6CS
	15-15x55mm	1000	6-310-3500-2Z4

Recommended Screw:		Hex.Head with Seal	
			
Product Range			
Gauge	Dimensions	Pack Quantity	Part Number
15g	15-15x25mm	500	6-310-3498-1Z4

Recommended Screw:		Hex.Head no Seal	
			
Product Range			
Gauge	Dimensions	Pack Quantity	Part Number
15g	15-15x25mm	500	6-311-3498-8Z4



Metroll Newcastle

ABN 97 001 446 439
 268 Macquarie Road
 WARNERS BAY NSW 2282
 AUSTRALIA

P: +61 (0)2 4954 5799

F: +61 (0)2 4954 0891


enquiries@metrollnewcastle.com.au


www.metrollnewcastle.com.au


METAL ROOFING TO LIGHTWEIGHT METAL BATTENS


Applications

For fixing metal roofing to 0.75mm metal battens in cyclonic and high wind areas.

Corri-Lok®			
Product Range			
Gauge	Dimensions	Pack Quantity	Part Number
15g	15-15x47mm	250	6-310-0565-7CS
	15-15x47mm	250	6-310-3565-3Z4

Square Rib Profiles			
Product Range			
Gauge	Dimensions	Pack Quantity	Part Number
15g	15-15x55mm	250	6-310-0503-1CS
	15-15x55mm	250	6-310-3503-7Z4

With 19mm Aluminium Bonded Washer			
Product Range			
Gauge	Dimensions	Pack Quantity	Part Number
15g	15-15x47mm	250	6-310-0510-1CS
	15-15x47mm	250	6-310-3510-7Z4
	15-15x55mm	250	6-310-0508-1CS
	15-15x55mm	250	6-310-3508-8Z4

With 25mm Aluminium Bonded Washer			
Product Range			
Gauge	Dimensions	Pack Quantity	Part Number
15g	15-15x47mm	250	6-310-0506-5CS
	15-15x47mm	250	6-310-3506-1Z4
	15-15x55mm	250	6-310-0504-9CS
	15-15x55mm	250	6-310-3504-5Z4



Metroll Newcastle

ABN 97 001 446 439
 268 Macquarie Road
 WARNERS BAY NSW 2282
 AUSTRALIA

P: +61 (0)2 4954 5799

F: +61 (0)2 4954 0891

enquiries@metrollnewcastle.com.au

www.metrollnewcastle.com.au