

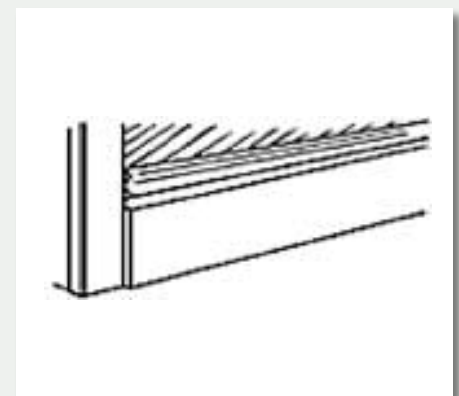
TIMBER TRIM THROUGH PLASTERBOARD TO STEEL FRAMING

Applications

- Skirting
- Architraves
- Window frames

Countersunk Head (Extended Point)

Product Range			
Gauge	Dimensions	Pack Quantity	Part Number
6g	6-20x50mm	1000	6-311-0124-5
	6-20x65mm	500	6-311-0123-7



Metroll Newcastle

ABN 97 001 446 439
 268 Macquarie Road
 WARNERS BAY NSW 2282
 AUSTRALIA

P: +61 (0)2 4954 5799

F: +61 (0)2 4954 0891

enquiries@metrollnewcastle.com.au

www.metrollnewcastle.com.au