



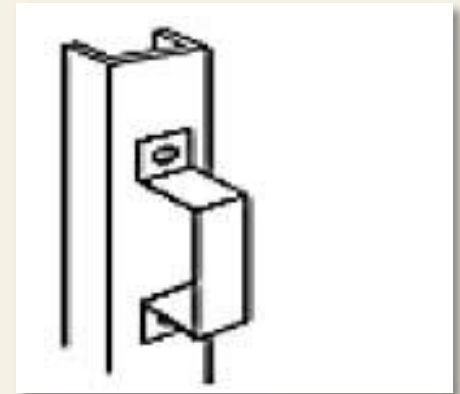
# General Fixings

## Applications

- Brackets
- Fixings

## Pan Head

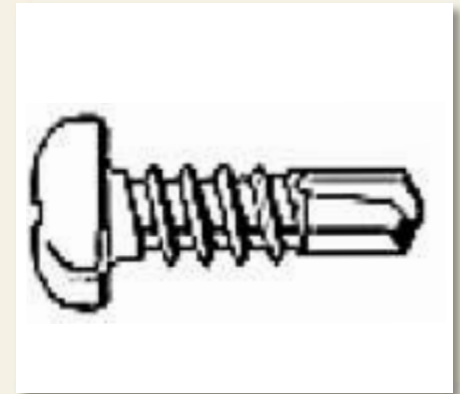
Product Range			
Gauge	Dimensions	Pack Quantity	Part Number
6g	6-20x20mm	1000	6-311-0330-1
8g	8-18x12mm	1000	6-311-0007-3
	8-18x16mm	1000	6-311-0010-1
	8-18x22mm	1000	6-311-0015-1



## General Fixings to Metal

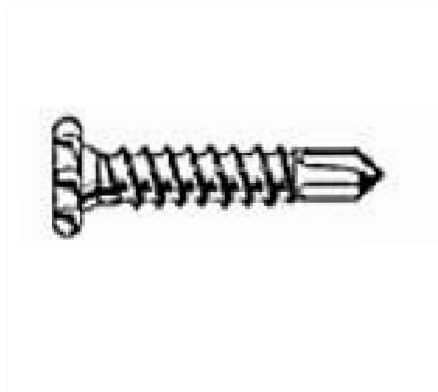
### Applications

- General Fixings to Metal
- Lining boards
- Fascias
- Panelling



## Self-Embedding Head

Product Range			
Gauge	Dimensions	Pack Quantity	Part Number
8g	8-18x20mm	1000	6-311-0046-3
	8-18x30mm	1000	6-311-0141-2
	10-24x25mm	1000	6-311-0101-1



Metroll Newcastle  
 ABN 97 001 446 439  
 268 Macquarie Road  
 WARNERS BAY NSW 2282  
 AUSTRALIA

P: +61 (0)2 4954 5799  
 F: +61 (0)2 4954 0891  
[www.metrollnewcastle.com.au](http://www.metrollnewcastle.com.au)  
[enquiries@metrollnewcastle.com.au](mailto:enquiries@metrollnewcastle.com.au)