

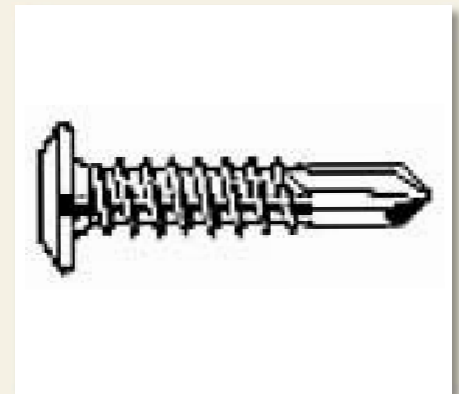
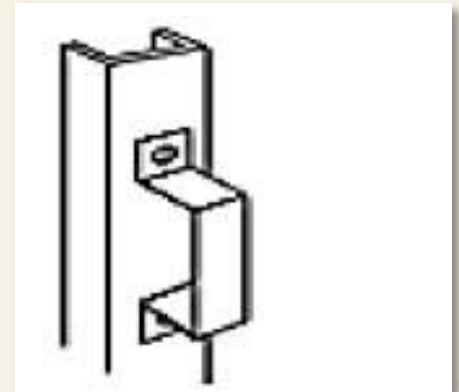
Low Profile Head Applications

Applications

- Metal Deck Clips
- Electrical Fittings
- Signs
- Sheet Metal

Wafer Head

Product Range			
Gauge	Dimensions	Pack Quantity	Part Number
8g	8-18x12mm	1000	6-311-0009-2
10g	10-16x16mm	100	1-311-9150-5TPMP
	10-16x16mm	1000	6-311-0150-6
	10-16x16mm	1000	6-311-0150-6MP
	10-24x16mm	1000	6-311-0021-3MP
	10-16x22mm	1000	6-311-0179-9
	10-16x22mm	1000	6-311-0179-9MP
	10-24x22mm	1000	6-311-0025-6MP
	10-16x30mm	1000	6-311-0535-7MP
	10-24x40mm	1000	6-311-0312-9MP



Metroll Newcastle
 ABN 97 001 446 439
 268 Macquarie Road
 WARNERS BAY NSW 2282
 AUSTRALIA

P: +61 (0)2 4954 5799
 F: +61 (0)2 4954 0891
www.metrollnewcastle.com.au
enquiries@metrollnewcastle.com.au